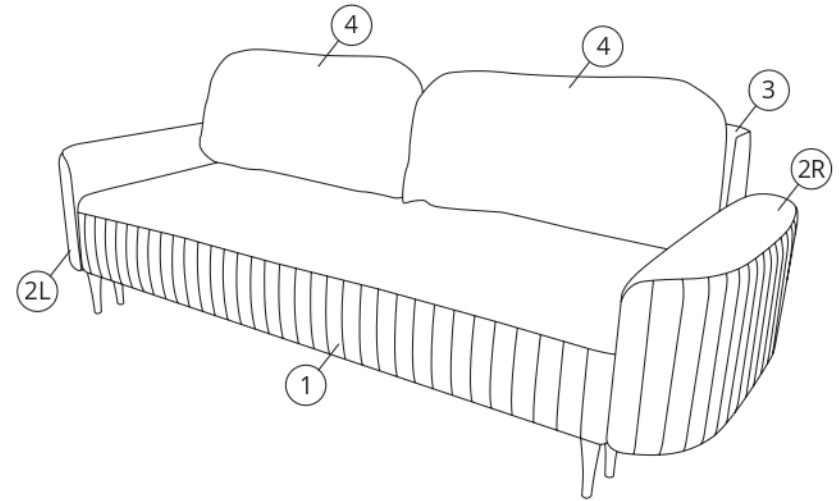
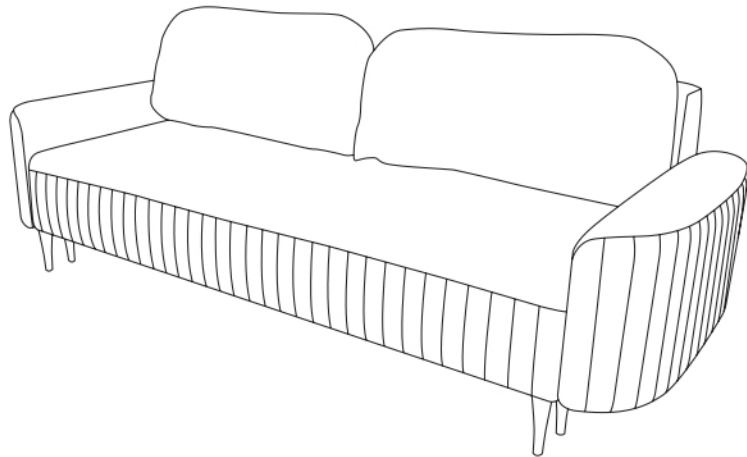


ENA



45 min.

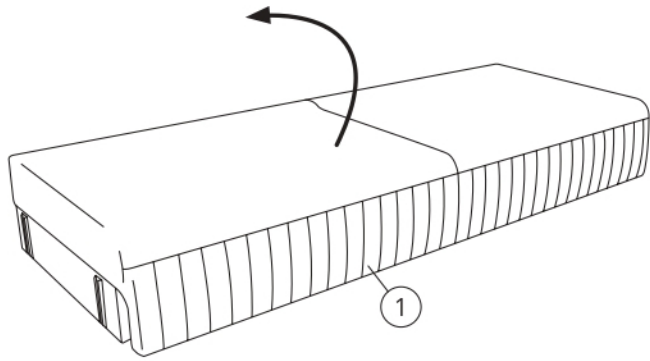


GT18
h = 160 mm

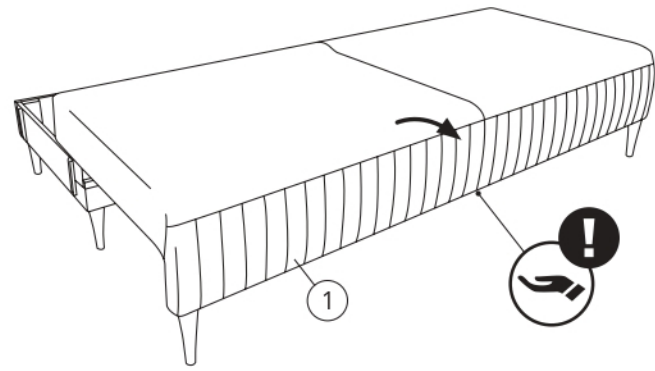


x6

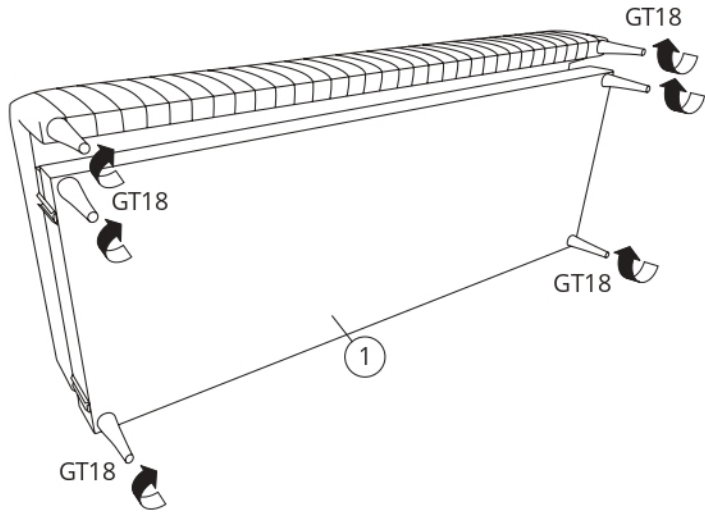
1



3



2

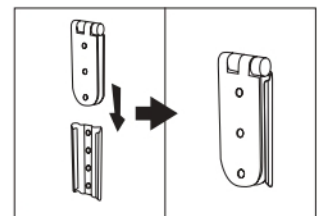
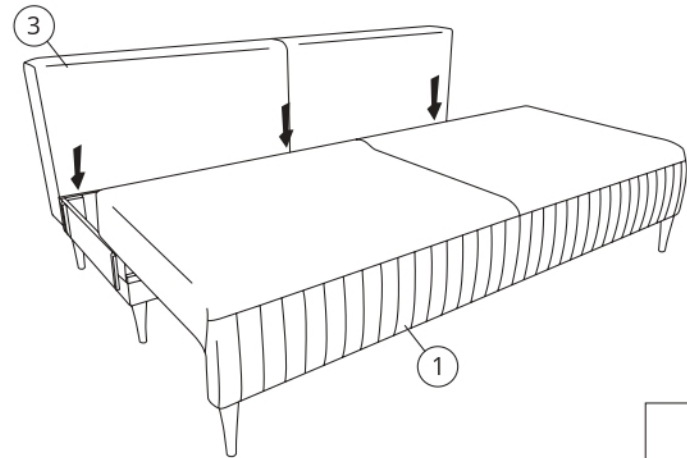


GT18
h = 160 mm

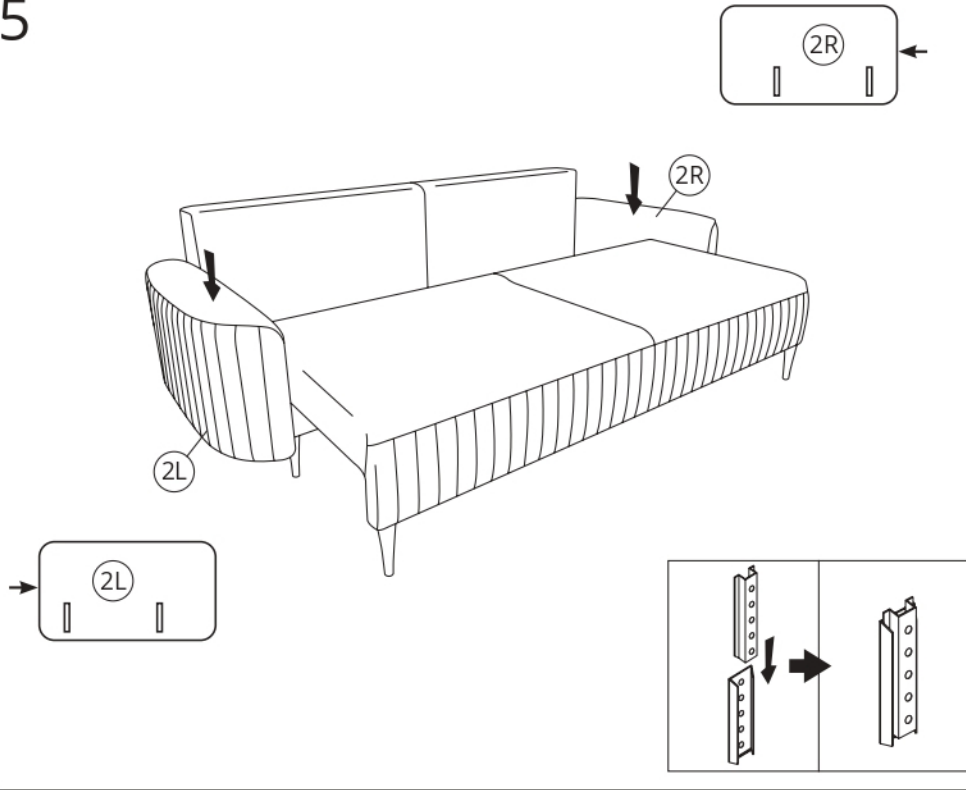


x6

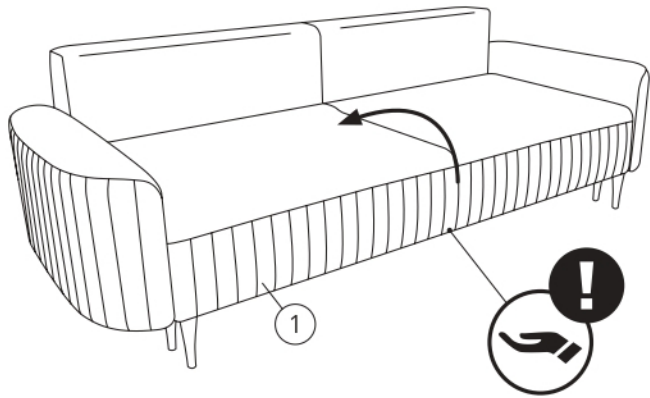
4



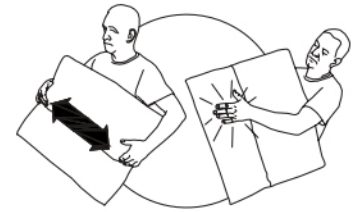
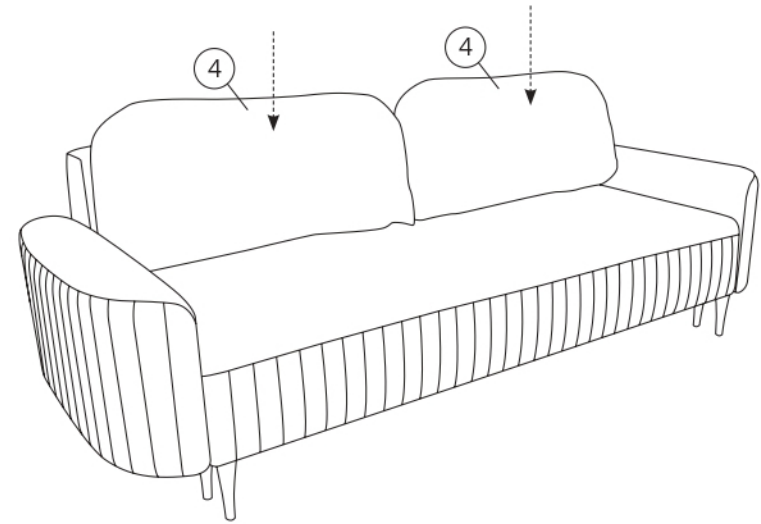
5

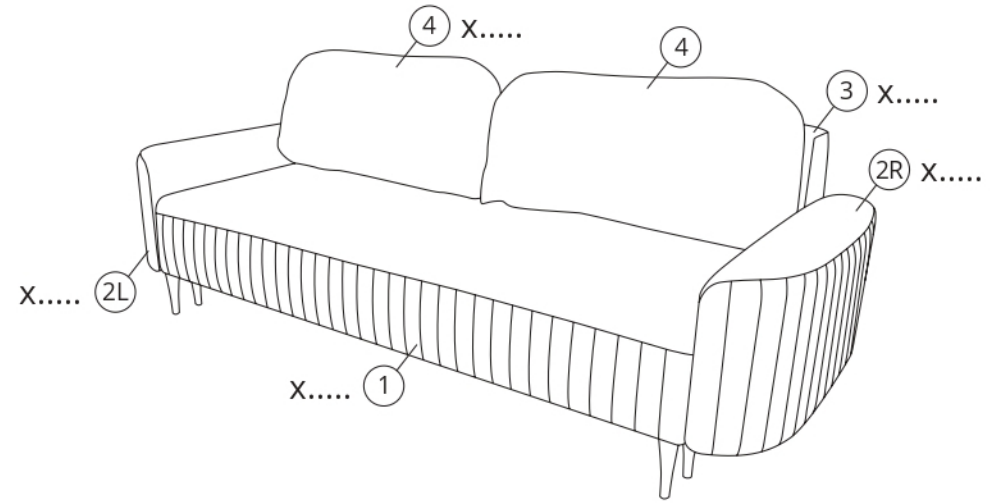
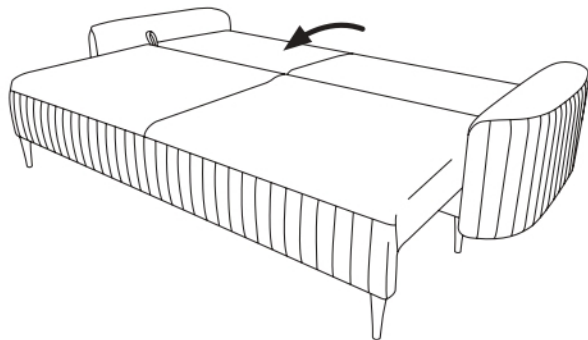
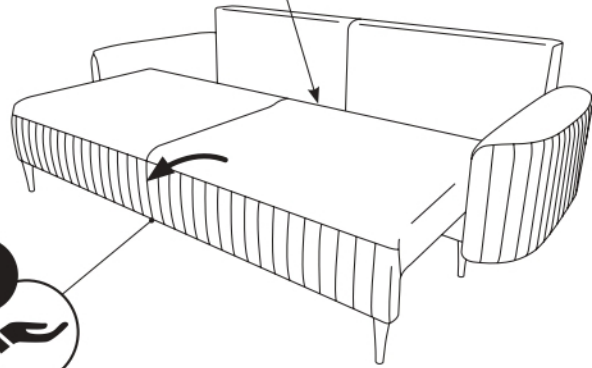
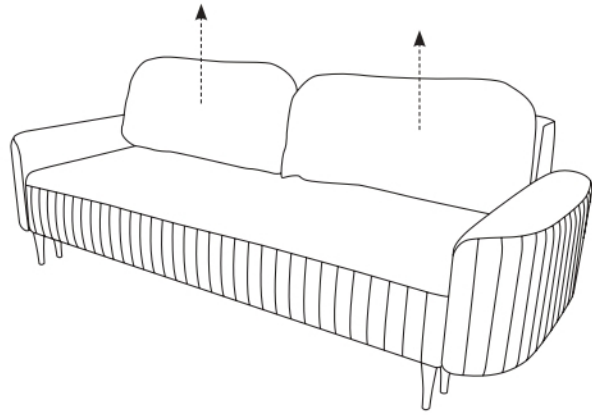


6



7





GT18
h = 160 mm



X.....

